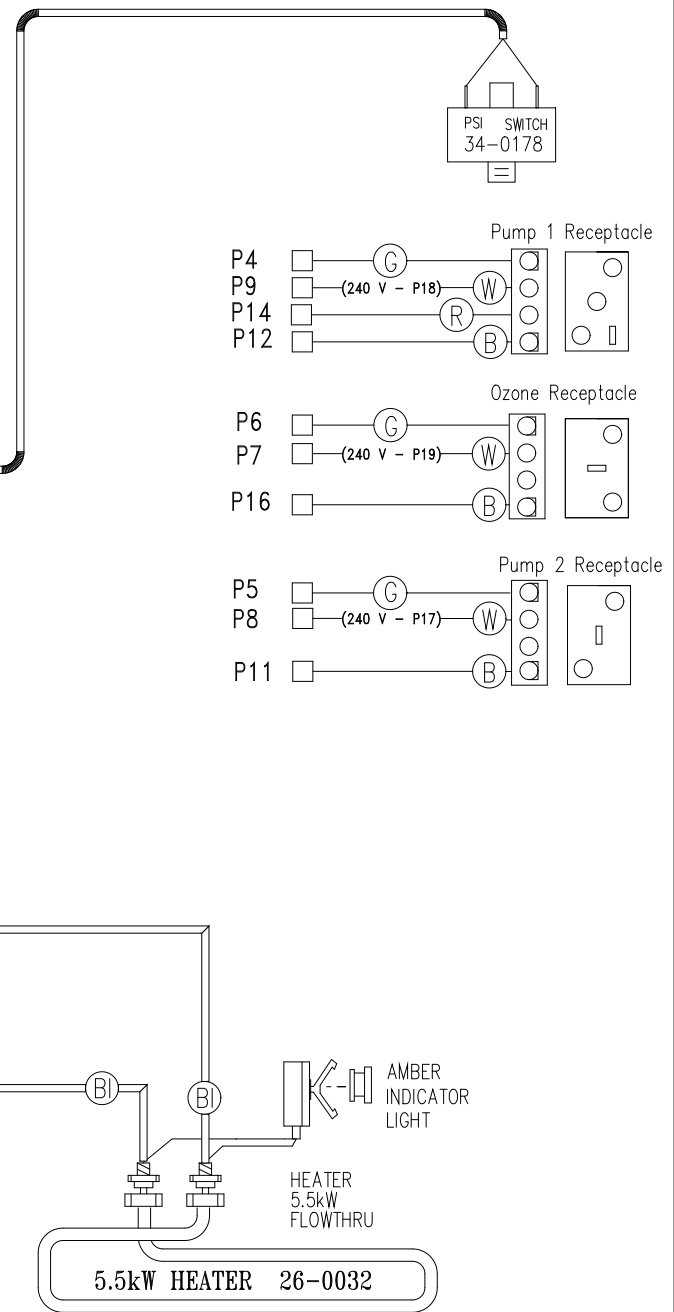
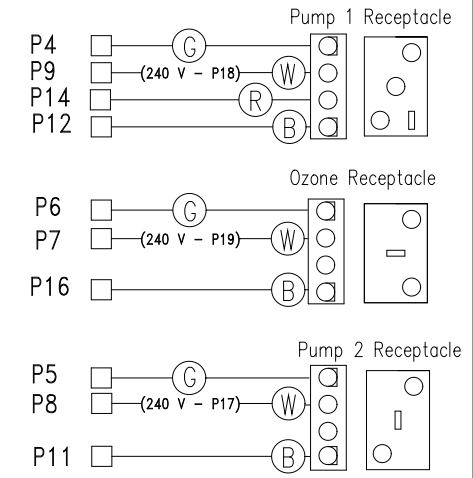
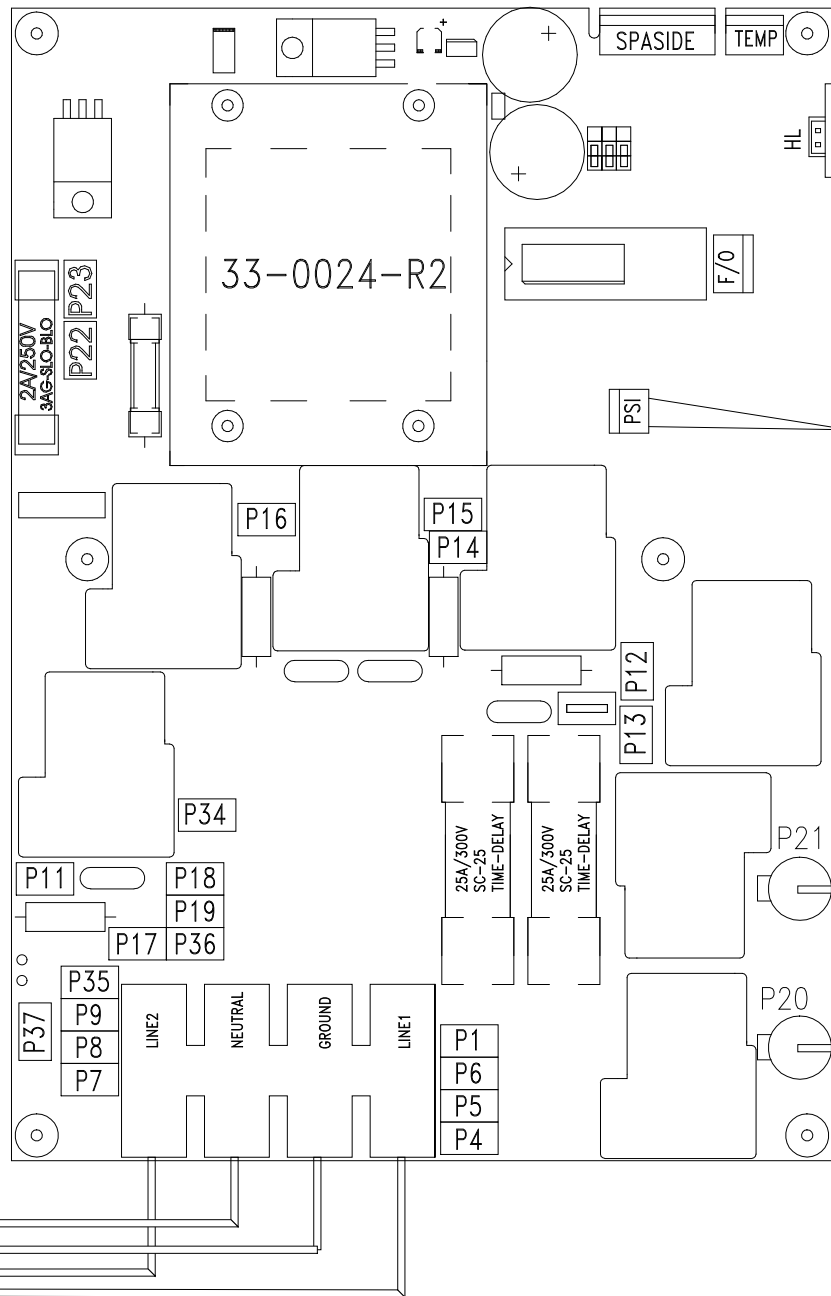
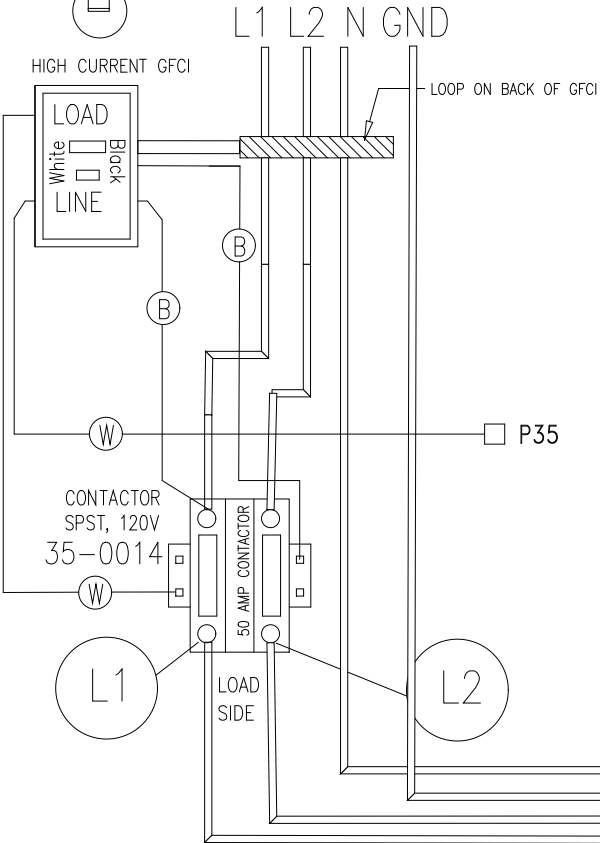
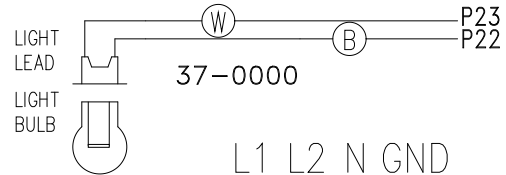


JUMPER SETTINGS

- JMP1 - HC MODE
- JMP2 - °F UNITS
- JMP3 - CIRC PUMP

LEGEND

- 1/4" QUICK CONNECT
- 1/4" QUICK CONNECT PIGGYBACK
- FORK CONNECTOR
- RING CONNECTOR
- SOCKET CONNECTOR
- PIN CONNECTOR



HYDRO-QUIP
CORONA, CA (909) 273-7575

Manufacture Notes:

Approved By:

Dwg. No.
J220AH-DKQY

Drawn
JLN

Rev
4

Date
6.4.01

Diagram No.
4802

Wire Color Code

- B - Black
- Br - Brown
- R - Red
- O - Orange
- Y - Yellow
- G - Green
- Bl - Blue
- V - Violet
- W - White
- Gr - Gray